

Straps, clamps and accessories

Snap Strap™ conduit support straps

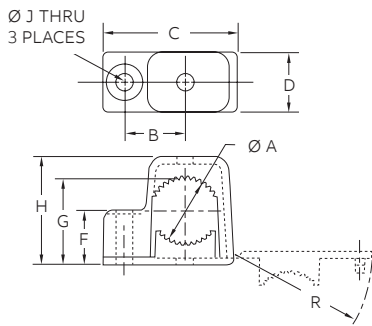


Carlson's Snap Strap offers a unique support strap designed especially for the installation of PVC conduit. Also usable for installations of rigid steel. This high-strength, non-metallic clamp enables conduit to expand and contract freely, eliminating the bowing commonly seen from the expansion and contraction of conduit caused by varying temperature changes. Finished installations have a neat, attractive appearance on exposed applications.

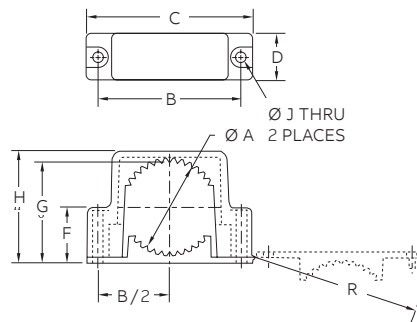
To be used in accordance with conduit spacing requirements per NEC® Section 352.30 and 12-1114 of the CEC. This part is not supplied with screws.

- UV inhibited for use in direct sunlight

NEC and National Electrical Code are registered trademarks of the National Fire Protection Association, Inc.



Single mount



Double mount

Single mount

Cat. No.	Size in. (mm)	Std. Ctn.	Std. Wt. (lbs.)	Dimensions in. (mm)								
				A	B	C	D	F	G	H	J	R
E978DC-CAR	1/2	40	1	0.80	0.75	1.63	.75	.68	1.08	1.36	.21	1.67
	(16)			(20.3)	(1.90)	(41.4)	(19.1)	(14.9)	(25.1)	(34.5)	(5.33)	(42.4)
E978EC-CAR	1/4	40	3	1.00	.88	1.92	.75	.79	1.29	1.58	.21	1.96
	(21)			(25.4)	(22.4)	(48.7)	(19.1)	(17.8)	(30.4)	(39.9)	(5.33)	(49.8)
E978FC-CAR	1	30	4	1.20	1.02	2.17	.75	.92	1.54	1.84	.21	2.22
	(27)			(30.5)	(25.9)	(55.1)	(19.1)	(21.1)	(36.3)	(46.7)	(5.33)	(56.3)

Double mount

Cat. No.	Size in. (mm)	Std. Ctn.	Std. Wt. (lbs.)	Dimensions in. (mm)								
				A	B	C	D	F	G	H	J	R
E978GC-CAR	1 1/4	15	4	1.66	2.75	3.23	1.00	1.07	1.90	2.15	.218	3.28
	(35)			(42.16)	(69.9)	(82.0)	(25.4)	(24.1)	(45.2)	(54.61)	(5.54)	(83.3)
E978HC-CAR	1 1/2	15	5	1.92	3.05	3.53	1.00	1.20	2.16	2.40	.218	3.58
	(41)			(48.77)	(77.5)	(89.7)	(25.4)	(27.4)	(51.8)	(60.96)	(5.54)	(90.9)
E978JC-CAR	2	10	5	2.34	3.50	4.00	1.00	1.43	2.59	2.86	.218	4.06
	(53)			(59.44)	(88.9)	(101.6)	(25.4)	(33.3)	(63.0)	(72.64)	(5.54)	(103.1)